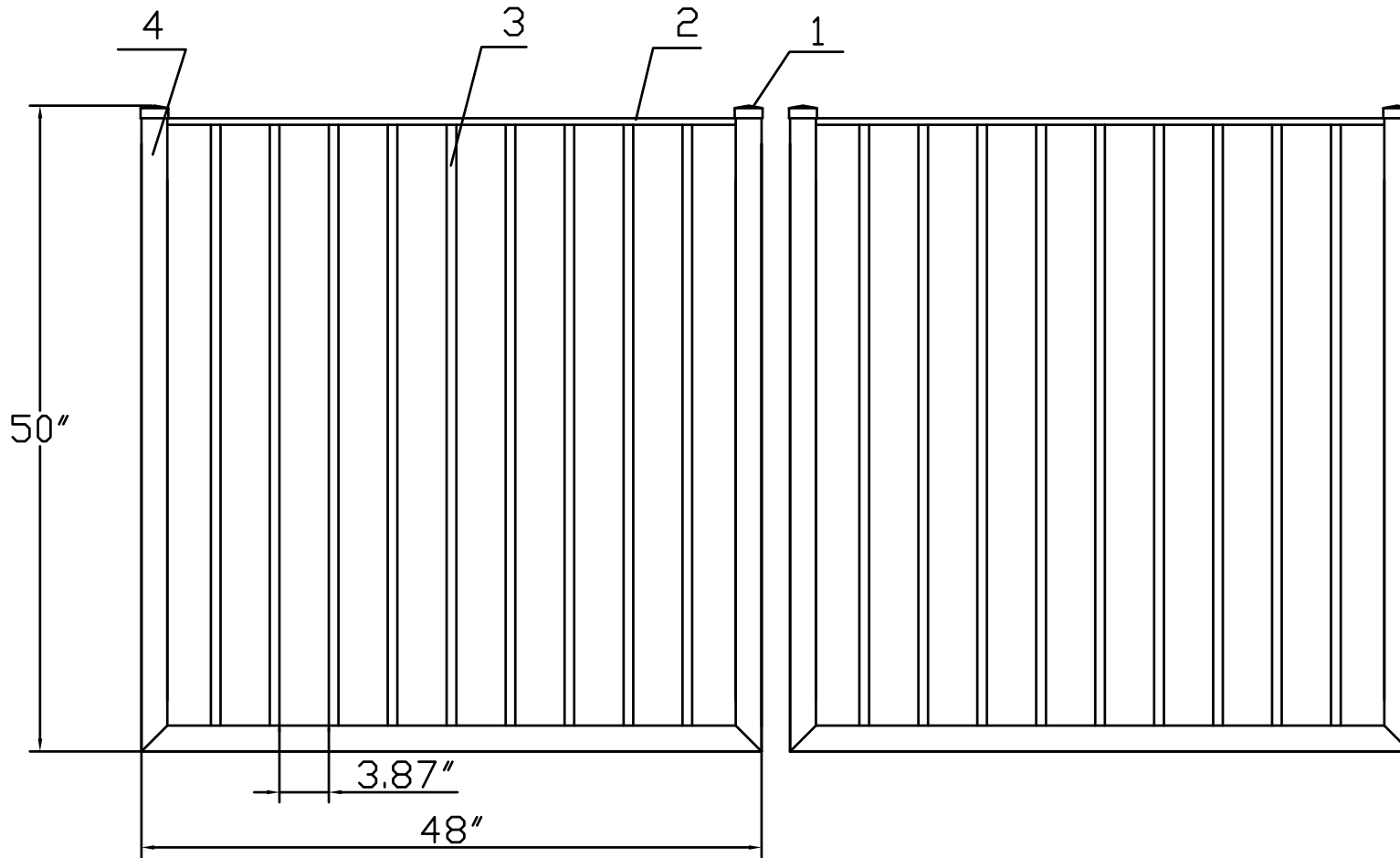


50"H X 4'W STRONGHOLD IRON DOUBLE WALK GATE  
SIGNATURE GRADE - STYLE #2: POOL



www.ironfenceshop.com  
(800) 261-2729



NO.	MATERIAL	QTY
1	CAST IRON CAP	4
2	┌ 1 1/2"X1/2"X1/8"	2
3	3/4"X3/4"X16ga	18
4	2"X2"X14ga	6

TP5004-CGD