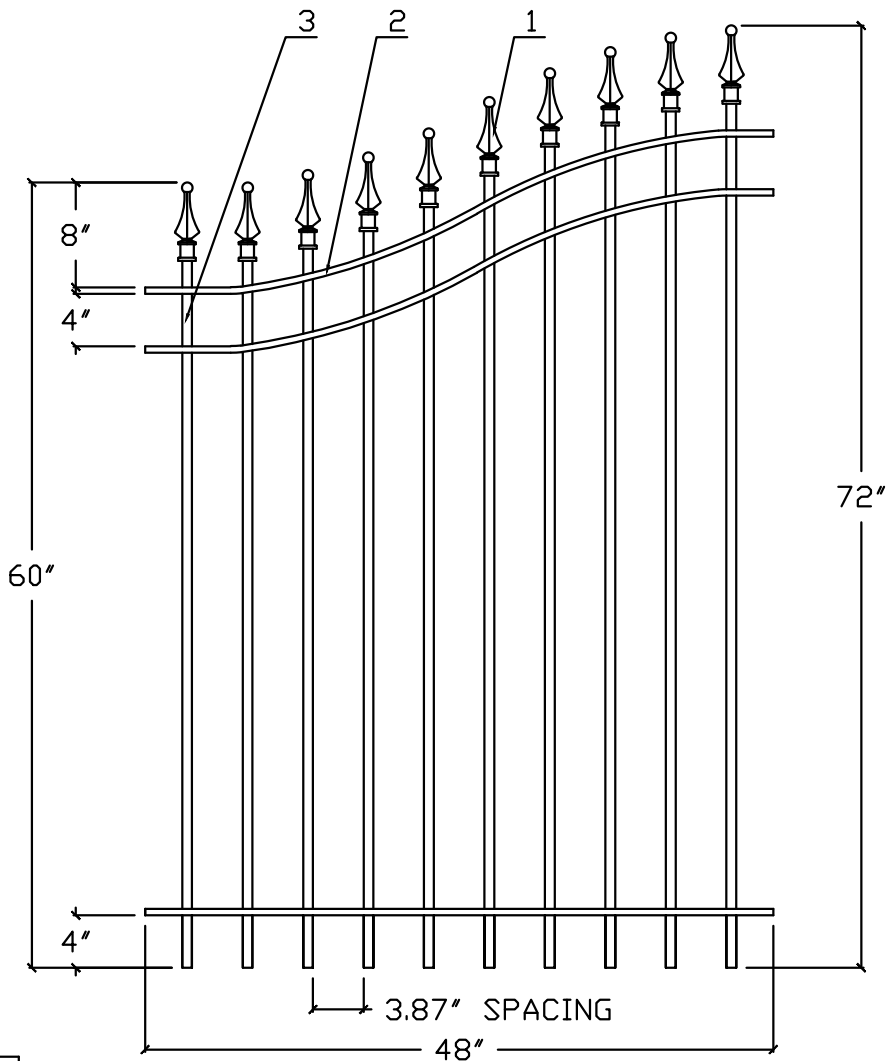


5'H ARCHING TO 6'H X 4'W STRONGHOLD IRON TRANSITION PANEL
 SIGNATURE GRADE - STYLE #1: CLASSIC



www.ironfenceshop.com
 (800) 261-2729



NO.	MATERIAL	QTY
1	CAST IRON FINIAL	10
2	1 1/2"X1/2"X1/8"	3
3	3/4"X3/4"X16ga	10

TPGW548